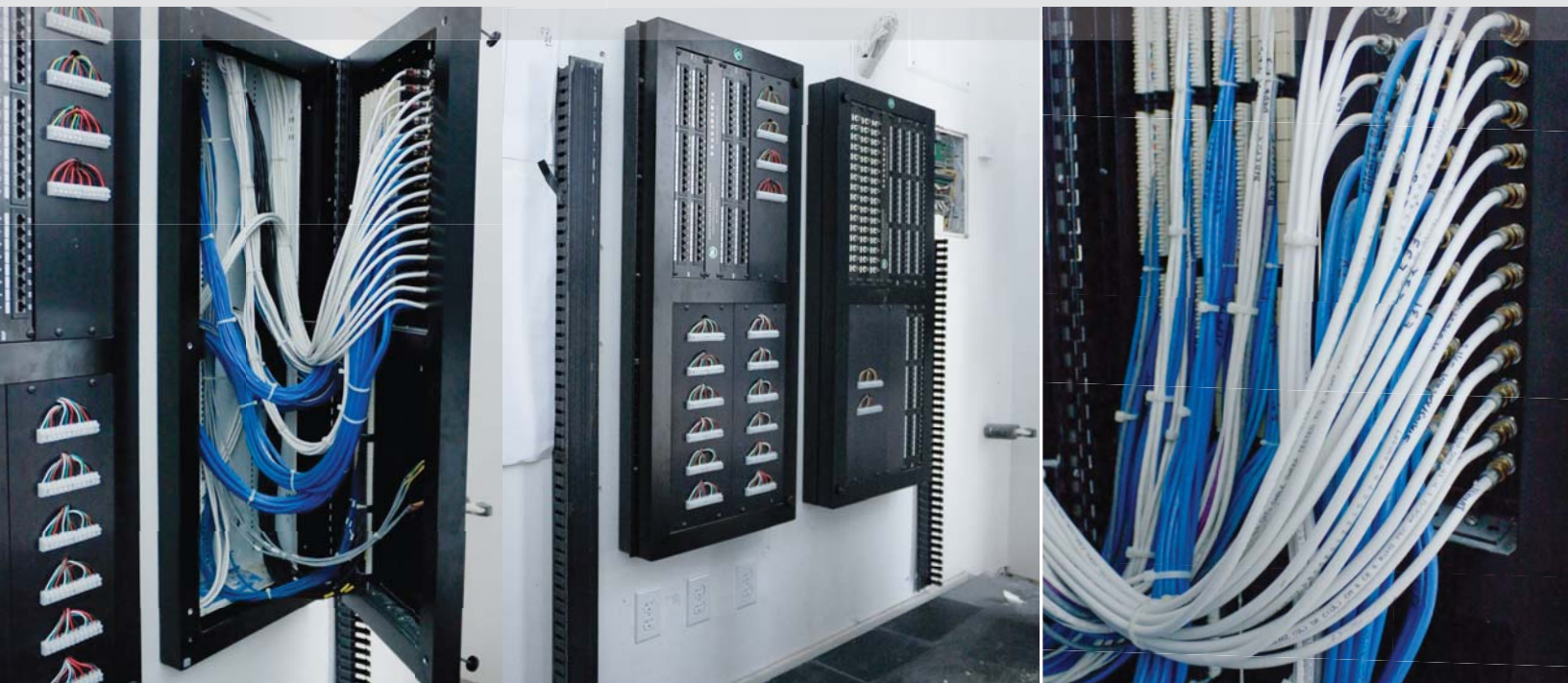


The Hinginator

So perfect, it'll make you cry.

CDGi PRO

SR7
SERIES



What it is

The new CDGiPro SR7 series hinged rack frame for structured wire enclosures makes running structured wiring and trimming it at the head end simple and cost effective. Designed to provide a central distribution point between a structured cabling enclosure and an equipment rack, the SR7 brings all low voltage distribution together in one organized place.

Why you need it

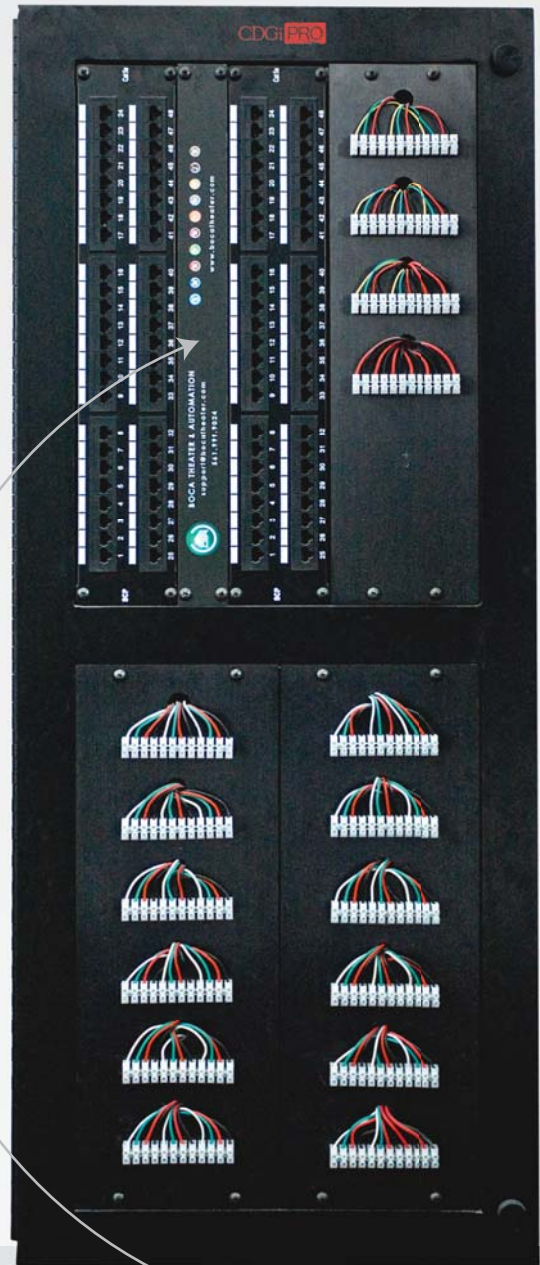
Mounts over a standard recessed 42" structured wiring enclosure.

Replaces the structured wiring can's lid and provides 16 standard RUs – perfect for mounting standard patch panels and blank rack plates (for mounting multi-switches, speaker connecting blocks, cable amps, etc.)

No need to leave long whips during pre-wire; wiring can be confidently trimmed to a known length, labeled, and stored inside the structured can during drywall.

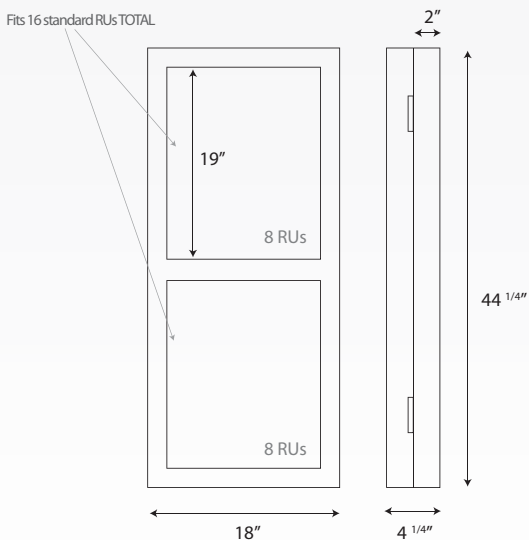
A perfect solution for any installer placing a rack in front of an enclosure – saves space in the main rack and eliminates the need to route spare wiring to the rack.

Take hours out of install time because the installer can punch, label, and test all wires during the trim phase saving countless hours tracking down problems during the final.



Custom dealership rack plates available.

Specifications



How can I get one?

Simply contact CDGiPro at 1-800-282-2863 or email at info@cdgipro.com to get a hold of The Hinginator.



The Hinginator

So perfect, it'll make you cry.



www.cdgipro.com
800.282.2863